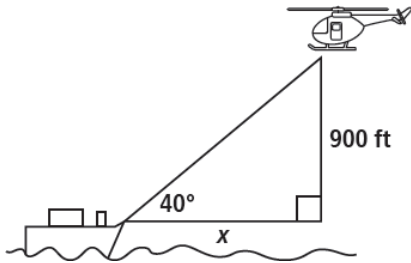


8-5 Additional Practice

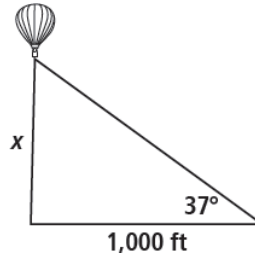
Problem Solving With Trigonometry

Find the value of x . Round to the nearest tenth.

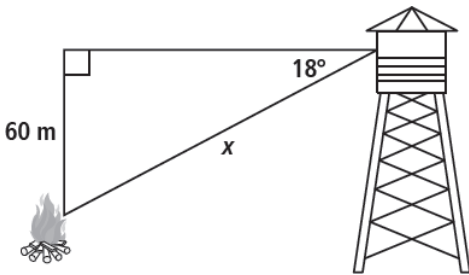
1.



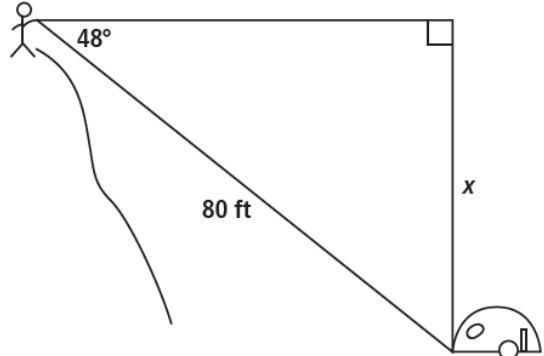
2.



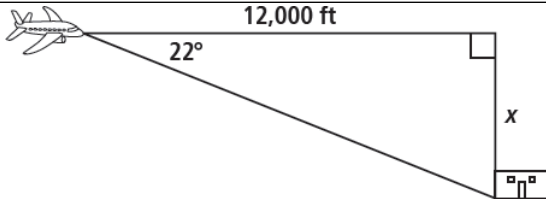
3.



4.



5.



6.

